

The logo for AURi CONTRACTING features the word "AURi" in a bold, dark grey sans-serif font. The letter "i" is replaced by a stylized yellow column with a fluted shaft and a decorative top. Above the column is a yellow crescent moon. Below "AURi" is a thin horizontal line, and underneath that, the word "CONTRACTING" is written in a yellow, spaced-out, sans-serif font. The entire logo is centered on a white background with yellow and grey curved accents at the top and bottom.

**AURi**  
CONTRACTING

# VENTILADORES EÓLICOS

CODIGO	MATERIAL	CAUDAL (m3/h)	DIAMETRO (Ø)	PESO DE VENTILADOR (Kg)	MEDIDAS DE BASES	
					L (mm)	e (mm)
AURI-EO-201-12	INOX C-201	2600	12"	4	355	0.5
AURI-EO-201-16	INOX C-201	3600	16"	4	456	0.5
AURI-EO-201-20	INOX C-201	3900	20"	4	558	0.5
AURI-EO-201-24	INOX C-201	4500	24"	4	690	0.5
AURI-EO-201-32	INOX C-201	5300	32"	5	893	0.5
AURI-EO-AL-12	ALUMINIO	2600	12"	5	355	0.5
AURI-EO-AL-14	ALUMINIO	2900	14"	5	406	0.5
AURI-EO-AL-16	ALUMINIO	3600	16"	5	456	0.5
AURI-EO-AL-20	ALUMINIO	3900	20"	6	558	0.5
AURI-EO-AL-24	ALUMINIO	4500	24"	6	690	0.5
AURI-EO-AL-30	ALUMINIO	5200	30"	6	842	0.5
AURI-EO-AL-36	ALUMINIO	6000	36"	6	994	0.5
AURI-EO-304-12	INOX 304	2600	12"	6	355	0.5
AURI-EO-304-14	INOX 304	2900	14"	7	406	0.5
AURI-EO-304-16	INOX 304	3600	16"	7	456	0.5
AURI-EO-304-20	INOX 304	3900	20"	7	558	0.5
AURI-EO-304-24	INOX 304	4500	24"	7	690	0.5
AURI-EO-304-30	INOX 304	5200	30"	8	842	0.5

## Leyenda

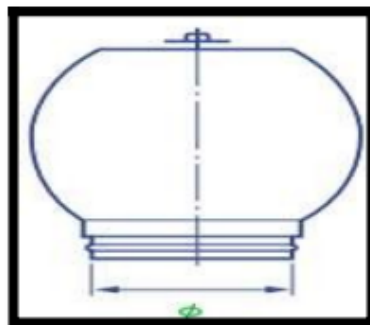


CALIDAD DE INOXIDABLE (201-304) / ALUMINIO

AURI-EO-201-12

EOLICO

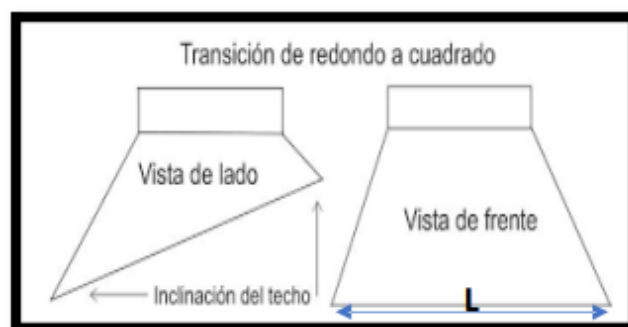
DIAMETRO



# BASES PARA VENTILADORES

---

- Bases de tipo cuadrado y redondo.
- Todas las bases son fabricadas con plancha galvanizada de  $e=0.5$  mm.



# CURVA DE RENDIMIENTO

---



## NOTA

---

- Los caudales dependen de la velocidad del aire de la zona o region.
- Las medidas (mm) y pesos (Kg) son aproximados.

# CONTACTO

---



Av. Petit Thouars 1775 Interior 1402 - Lince



01 724 6383



977 523 683



comercial@auricontracting.pe



[www.auricontracting.pe](http://www.auricontracting.pe)